
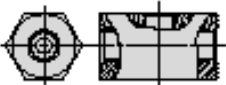
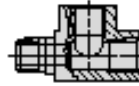
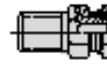







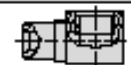




















Hydraulic Fittings—10,000 psi

Power Team™ fittings include a wide range of types and sizes. Ideal for many hydraulic applications.

Order No.	Description
 9670	Tee adapter. For installing gauge between pump and hose coupling. Has 1 3/8" NPTF female & 3 3/8" NPTF male ports.
 9671	Double tee adapter. Permits use of more than one cylinder in series with one pump. Three 3/8" NPTF female ports.
 9672	Service tee. Two 3/8" NPTF female internal, one 3/8" NPTF male external.
 9673*	Swivel connector. 3/8" NPSM male, 3/8" NPSM female.
 9674	Male connector. 1.69" long, 1/4" x 3/8" NPTF.
 9675*	Swivel connector. 3/8" NPTF male, 3/8" NPSM female.
 9676*	Swivel connector. 1/4" NPTF male, 3/8" NPSM female.
 9677*	45° swivel connector. 1/4" NPTF male, 3/8" NPSM female.
 9678	45° fitting. Used when mounting gauge at an angle on connection such as 9670. Male & female 1/4" NPTF ends.
 9679	Connector. 1/4" NPTF female and 3/8" NPPT male.
 9680	Coupling. Both ends 3/8" NPTF female.
 9681	Street elbow. Male & female 3/8" NPTF ends.
 9682	Male connector. 1.69" long, 3/8" NPTF male ends.
 9683	Male connector. 2.25" long, 3/8" NPTF male ends.
 9684	Male connector. 2.25" long, 1/4" NPTF male ends.

 9685	Coupling. 1/4" NPTF female & 3/8" NPTF female.
 9686	90° elbow. 3/8" NPTF female ends.
 9687	Pipe plug. Heat treated, 3/8" NPTF.
 9688	Pipe plug. Heat treated, 1/4" NPTF.
 9689	Connector. 1/4" NPTF male and 3/8" female NPTF.
 9690	Male connector. 1.69" long, 1/4" NPTF male ends.
 9692	Straight connector. 3/8" tube x 3/8" male NPTF.
 9693	90° elbow. 3/8" tube x 3/8" male NPTF.
 9694	45° elbow. 3/8" tube x 1/4" male NPTF.
 9695	Tee. 3/8" tube.
 9696	Male run tee. 3/8" tube x 1/4" male NPTF.
 9697	Male branch tee. 3/8" tube x 1/4" male NPTF.
 9698	Cross. 3/8" tube.
 9699	45° gauge fitting. 3/8" male and female, and 1/4" NPTF female at 45°.
 9190	Hyd tubing. .38" O.D. x .65" wall 50 ft. (10 pieces 5 feet long.)

Note: Power Team hydraulic fittings are intended for use with our high pressure hydraulic products and are suitable for use at max. working pressures of 10,000 psi unless otherwise noted.

***Caution:** On part numbers 9673, 9675, 9676 and 9677 the female swivel end of these adapters is a straight pipe thread (NPSM) with a 30° seat. All male pipe fittings that are used with these female swivel adapters must have an internal 30° seat in order to effect a proper seal. All PowerTeam male fittings are manufactured with a 30° seat except 9687 and 9688.